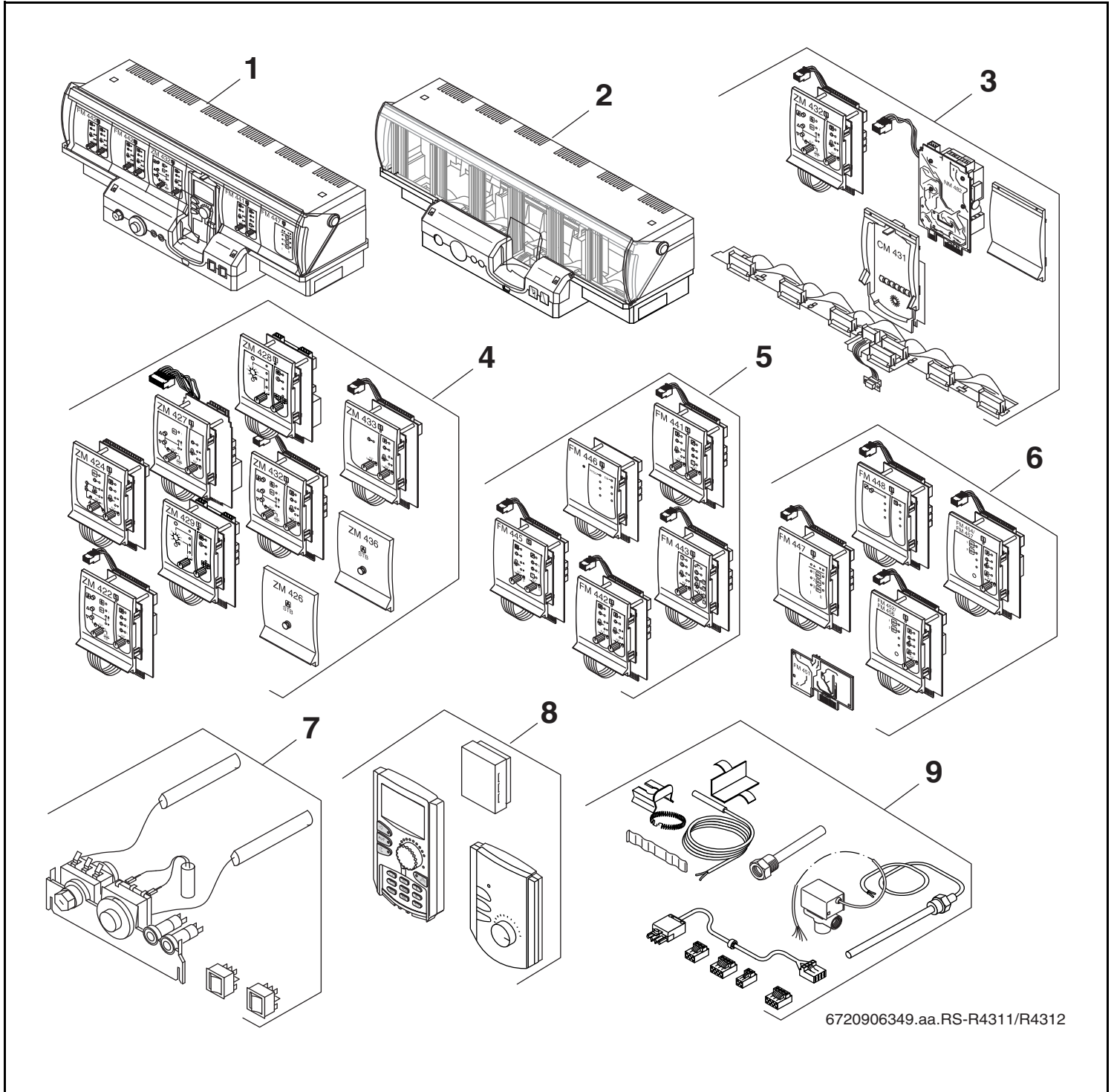


# R4311 / R4312



6720906349.aa.RS-R4311/R4312

# Buderus



### Wichtige Hinweise

- Ersatzteile dürfen nur von einem zugelassenen Installateur eingebaut werden!
- Im Anhang finden Sie:
  - die Übersetzungen aller verwendeten Teilebezeichnungen
  - eine Übersicht der Gerätetypen und Länder, für die diese Ersatzteilliste gilt.

### Important notes

- The spare parts may only be installed by an approved installer!
- In the appendix you will find:
  - a list of translations of the names of all parts used
  - a list of the models and countries to which this spare parts list applies.

### Indications importantes

- L'installation des pièces de rechange doit être effectuée par un professionnel qualifié!
- Veuillez trouver en annexe:
  - les traductions de toutes les désignations des pièces utilisées
  - une vue globale des types de chaudières et des pays pour lesquels la présente liste des pièces de rechange est valable.

### Informações importantes

- Peças de substituição só podem ser montadas por um técnico credenciado!
- Em anexo encontra:
  - as traduções das designações de todas as peças utilizadas.
  - lista dos aparelhos e países para os quais esta lista de peças de substituição é válida.

### Avvertenze importanti

- Le parti di ricambio possono essere montate esclusivamente da personale qualificato ed in possesso dei requisiti tecnico-professionali!
- In appendice sono reperibili:
  - traduzione di ogni descrizione relativa alle varie parti di ricambio
  - elenco di sigle e codici, corrispondente ai vari paesi di destinazione.

### Indicaciones importantes

- Los repuestos solamente deben ser montados por los servicios técnicos oficiales de la marca!
- En el anexo podrá encontrar:
  - la traducción de todas las denominaciones de piezas empleadas
  - una relación de los tipos de aparato y países en los que se aplica esta lista de repuestos.

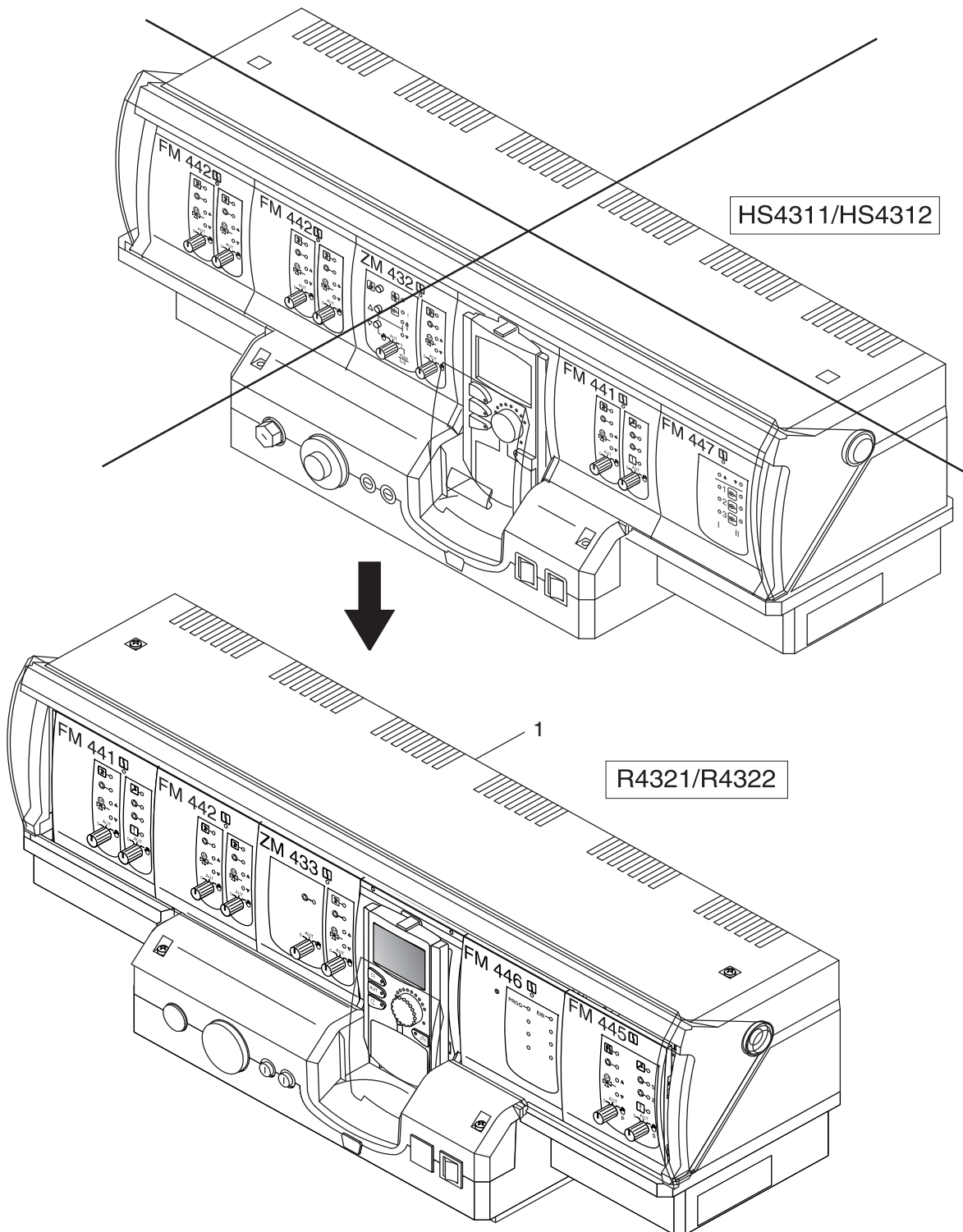
### Belangrijke aanwijzing

- Onderdelen mogen alleen door een erkend installateur worden vervangen!
- In de bijlage vindt u:
  - de vertalingen van de gebruikte onderdelentekeningen
  - een overzicht van toesteltypen en de landen waarvoor deze onderdelenlijst bedoeld is.

### Önemli Bilgiler

- Yedek parçalar sadece yetkili tesisatçılar tarafından monte edilebilir!
- Aşağıdaki bilgileri ekli olarak bulabilirsiniz:
  - Tüm kullanılan parça tanımlarının tercümelemleri
  - Bu yedek parça listesinin geçerli olduğu tüm cihaz çeşitleri ve ülkelerin özeti.

Ersatzteilliste  
Spare parts list



6720906350.aa.RS-Gerätevarianten R4311/R4312

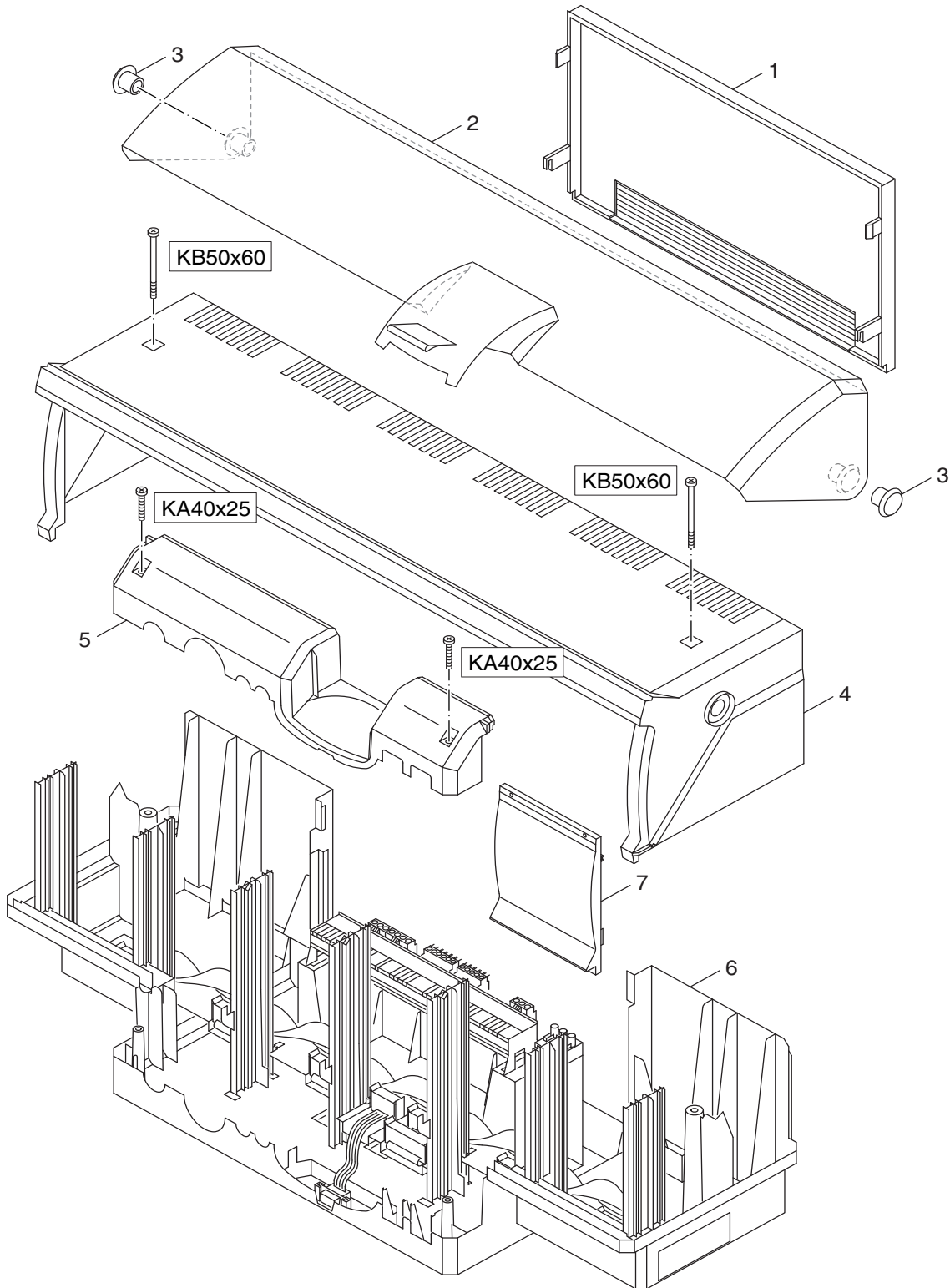
Gerätevarianten R4311/4312  
Contoller R4311/4312

**R4311 / R4312**

**1**



Ersatzteilliste  
Spare parts list



6720906351.aa.RS-Gehäuseeinzelteile R4311/R4312

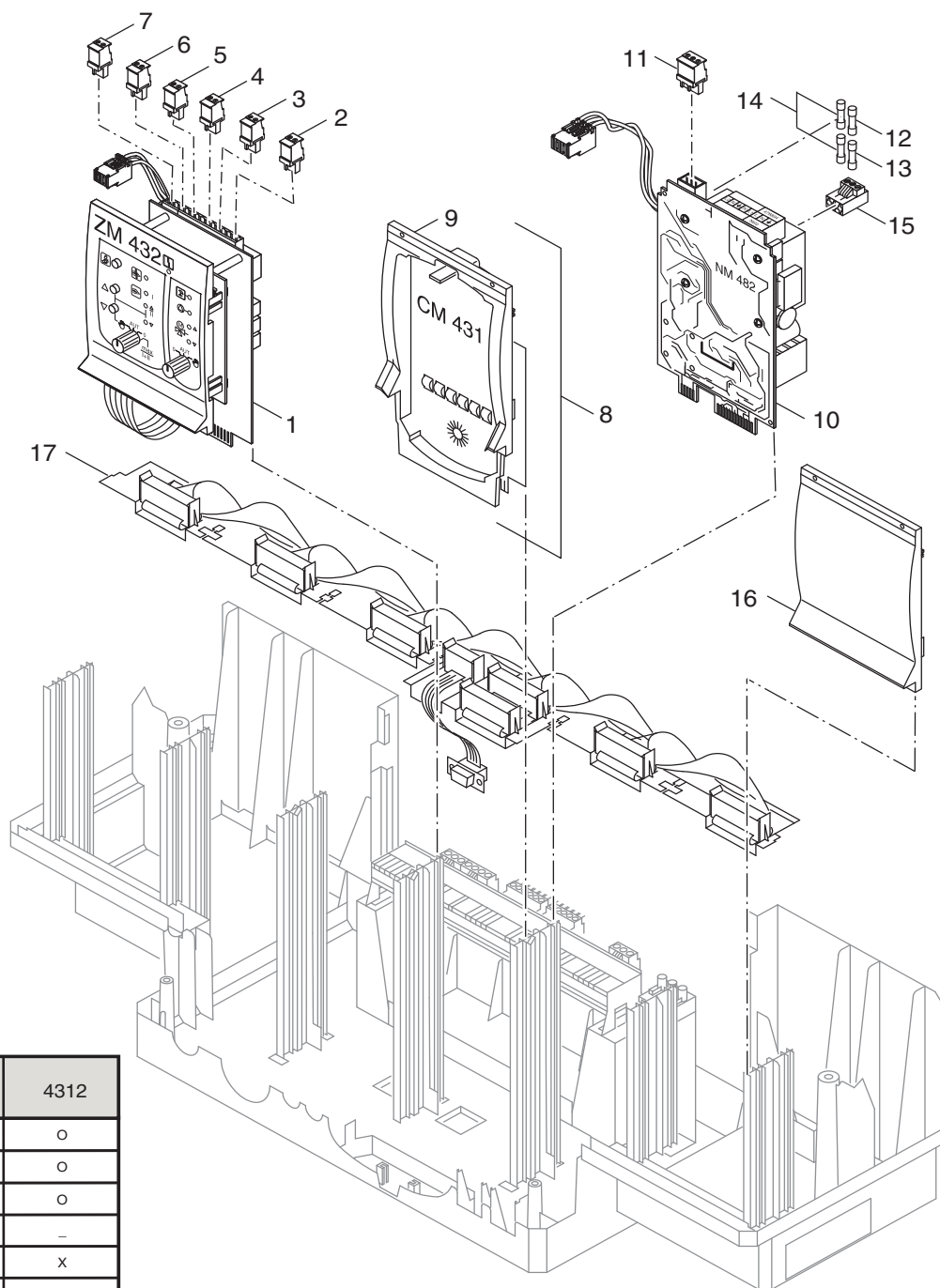
Gehäuseeinzelteile R4311/4313  
casing R4311/4313

**R4311 / R4312**

**2**



**Ersatzteilliste**  
**Spare parts list**



	Bezeichnung	4311	4312
Module	CM 431	o	o
	NM 482	o	o
	ZM 432	o	o
	ZM 433	-	-
	FM 441	x	x
	FM 442	x	x
	FM 443	x	x
	FM 445	x	x
	FM 446	x	x
	FM 447	x	-
	FM 448	x	x
ZM 426	x	x	

O = Grundausstattung / basic equipment  
 X = Zusatzausstattung / supplementary equipment  
 - = Kombination/Einbau nicht möglich / combination not possible

6720906352.aa.RS-Module Grundausstattung R4311/R4312

Grundmodule R4311/4312  
 Printed circuit R4311/4312

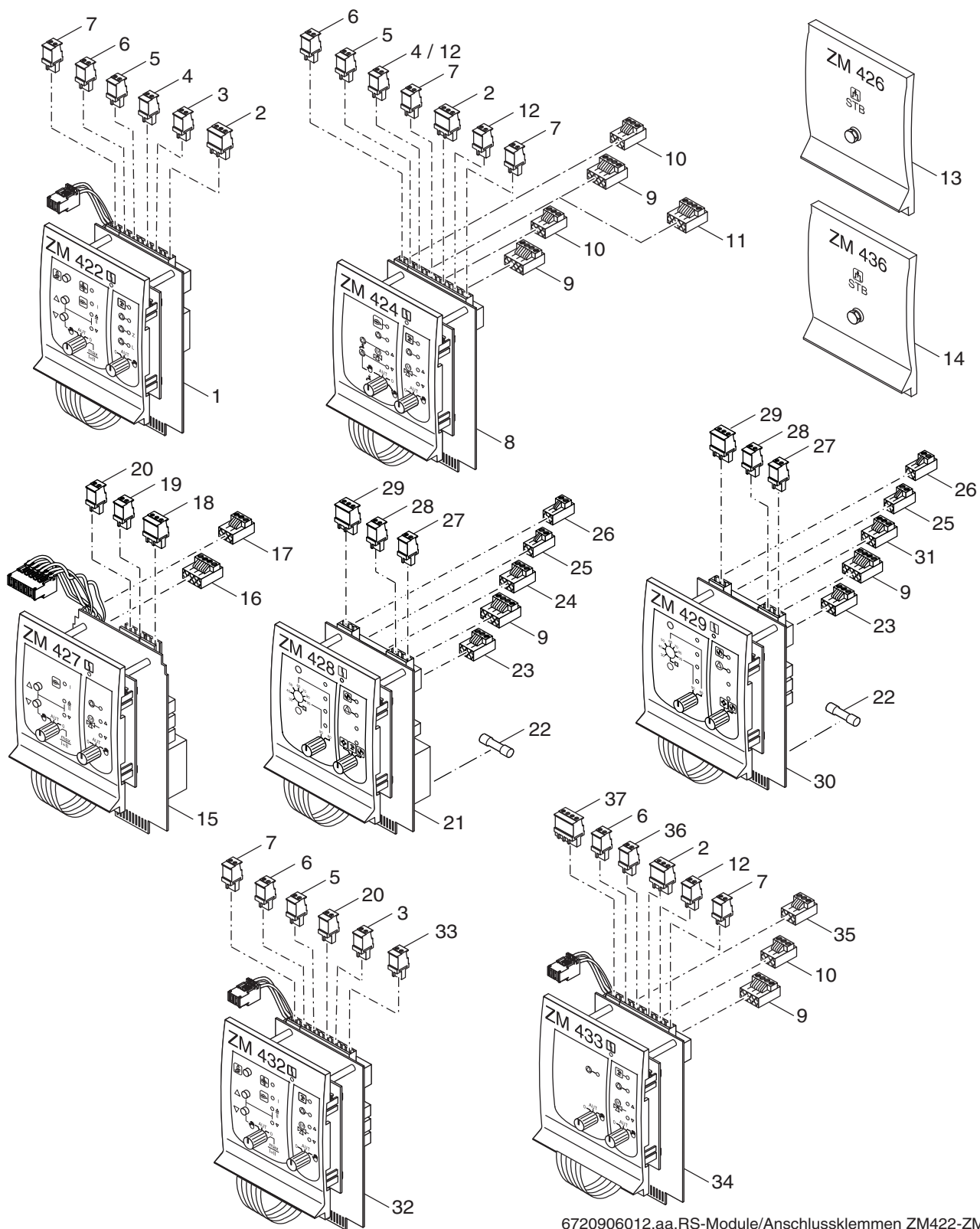
**R4311 / R4312**

**3**





Ersatzteilliste  
Spare parts list



6720906012.aa.RS-Module/Anschlussklemmen ZM422-ZM436

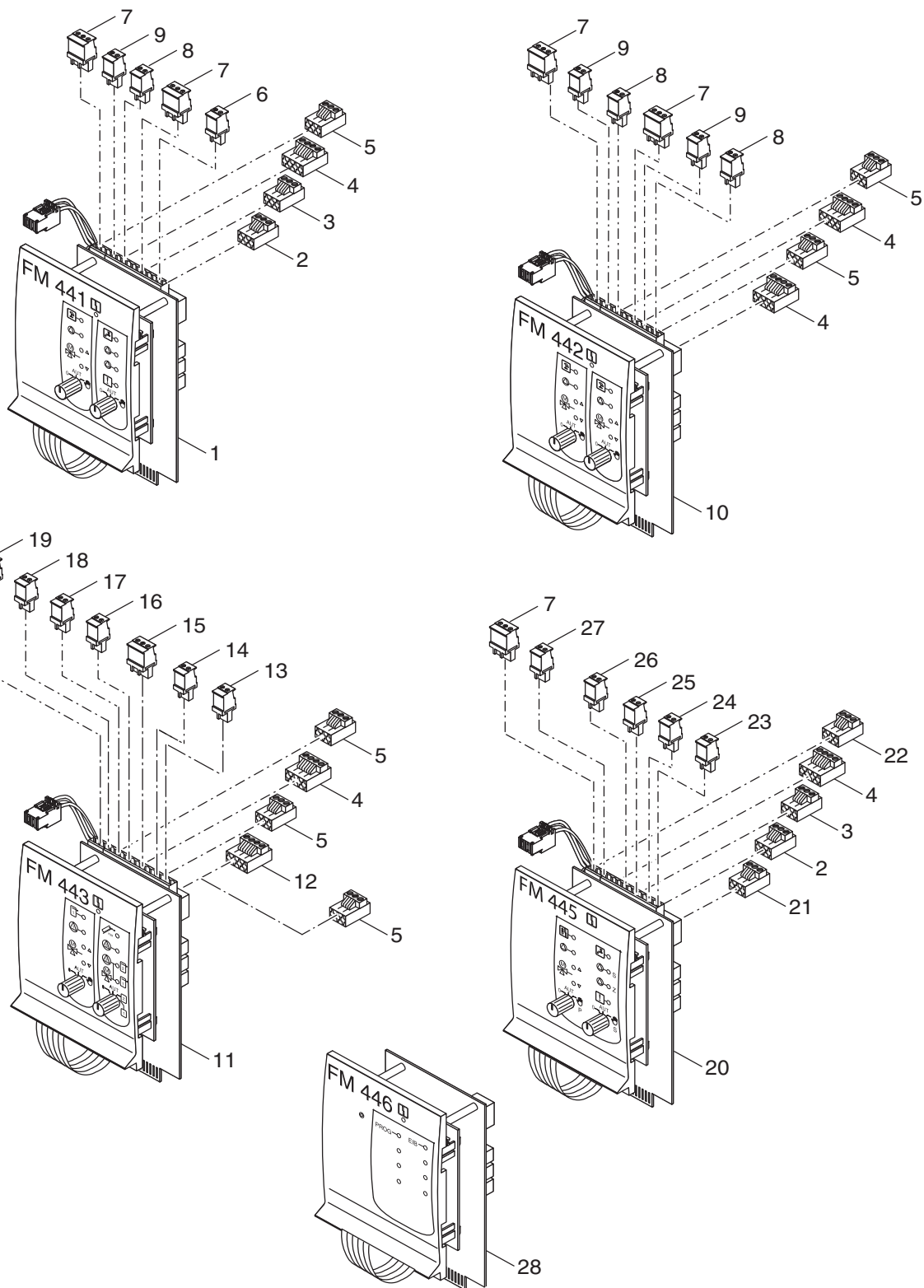
Module ZM422-ZM436  
Module ZM422-ZM436

R4311 / R4312

4



**Ersatzteilliste**  
**Spare parts list**



6720906013.aa.RS-Module/Anschlussklemmen FM441-FM446

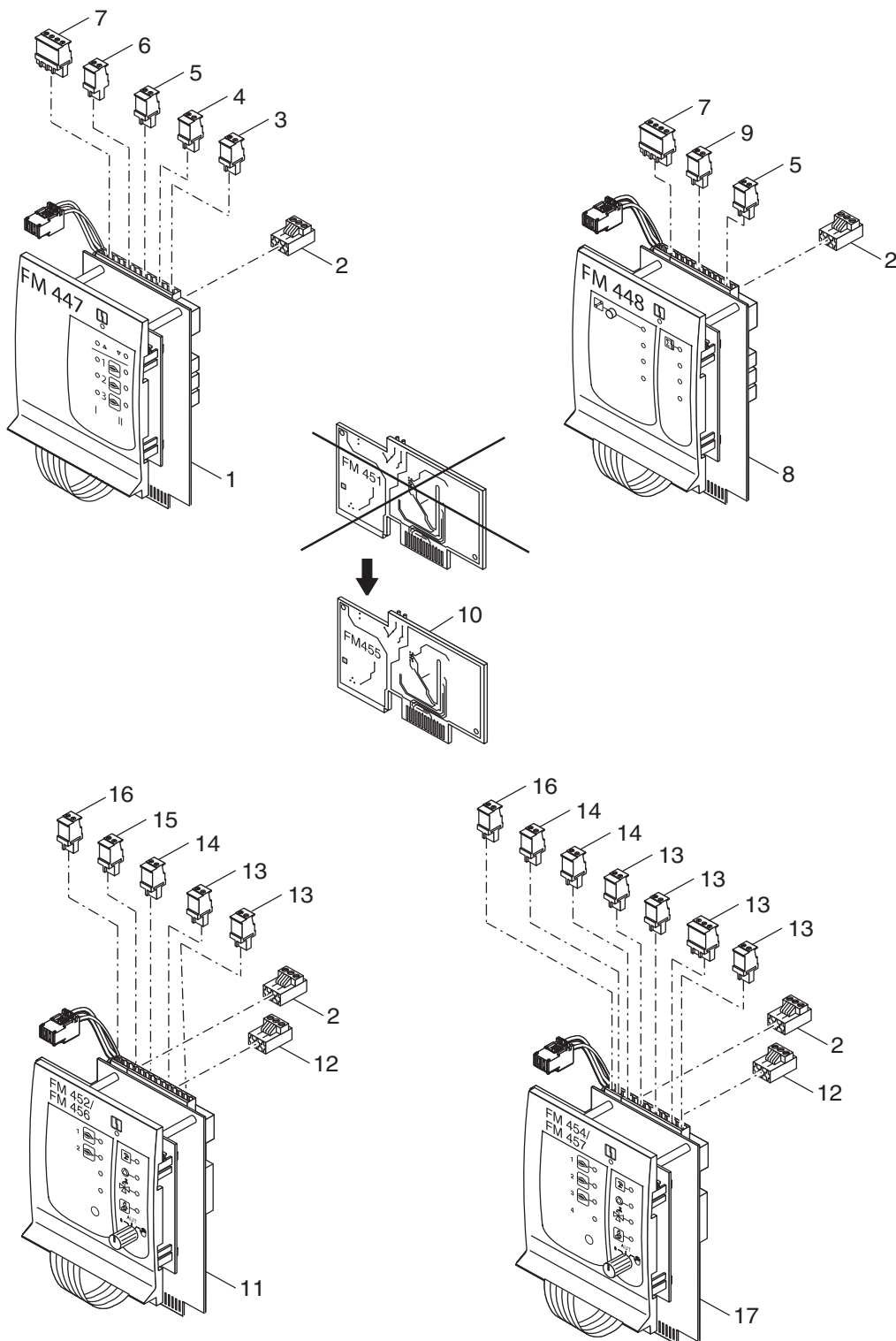
Module ZM441-FM446  
Module ZM441-FM446

**R4311 / R4312**

**5**



# Ersatzteilliste Spare parts list



6720906014.aa.RS-Module/Anschlussklemmen FM447-FM454

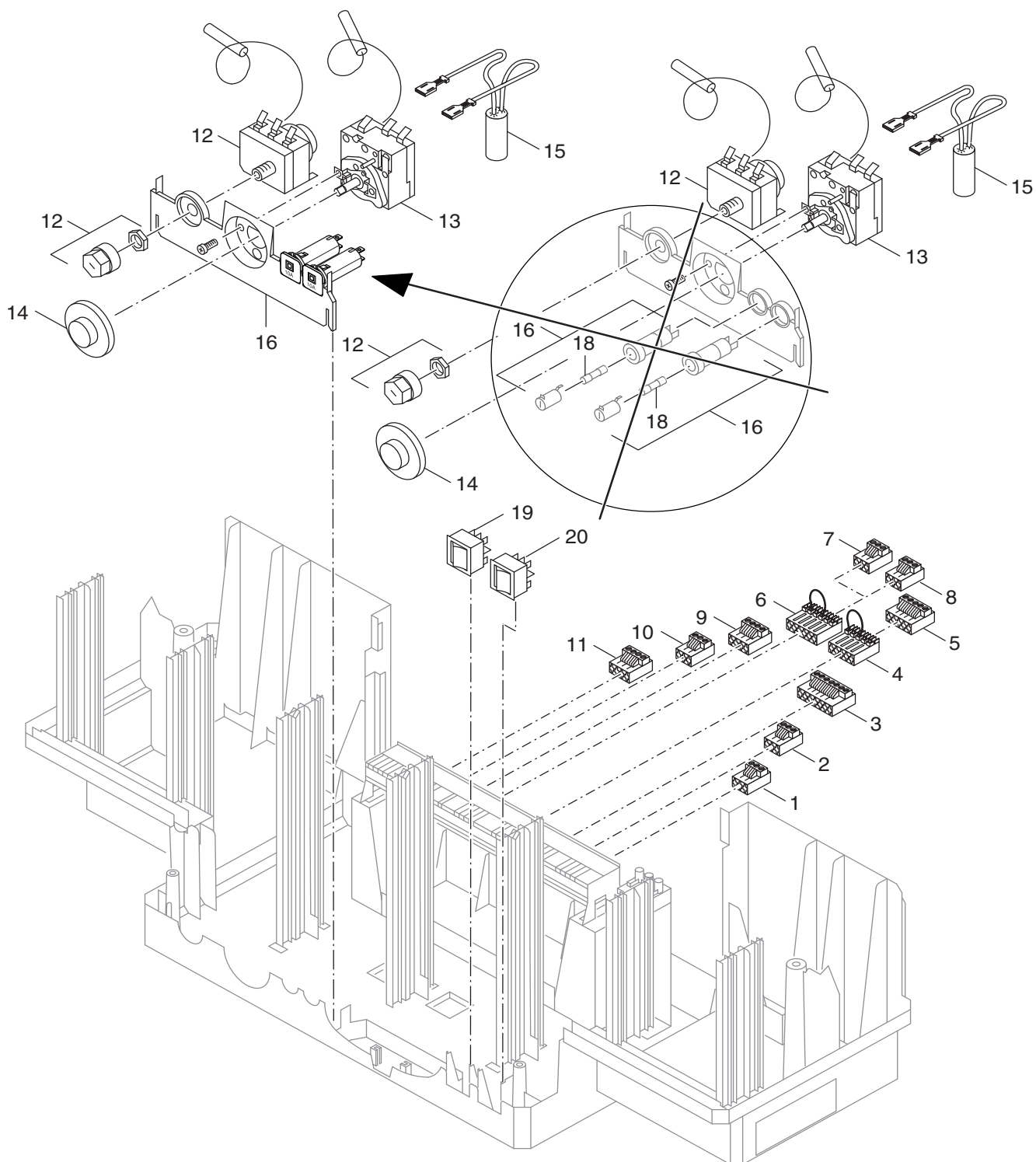
Module ZM447-FM454  
Module ZM447-FM454

**R4311 / R4312**

**6**



**Ersatzteilliste**  
**Spare parts list**



6720906558.ab.RS-STB/Regler/Anschlusskabel R4311/R4312

Regler+Schalter+Sicherung R4311/4312  
 Contoller+switch+fixing ring R4311/4312

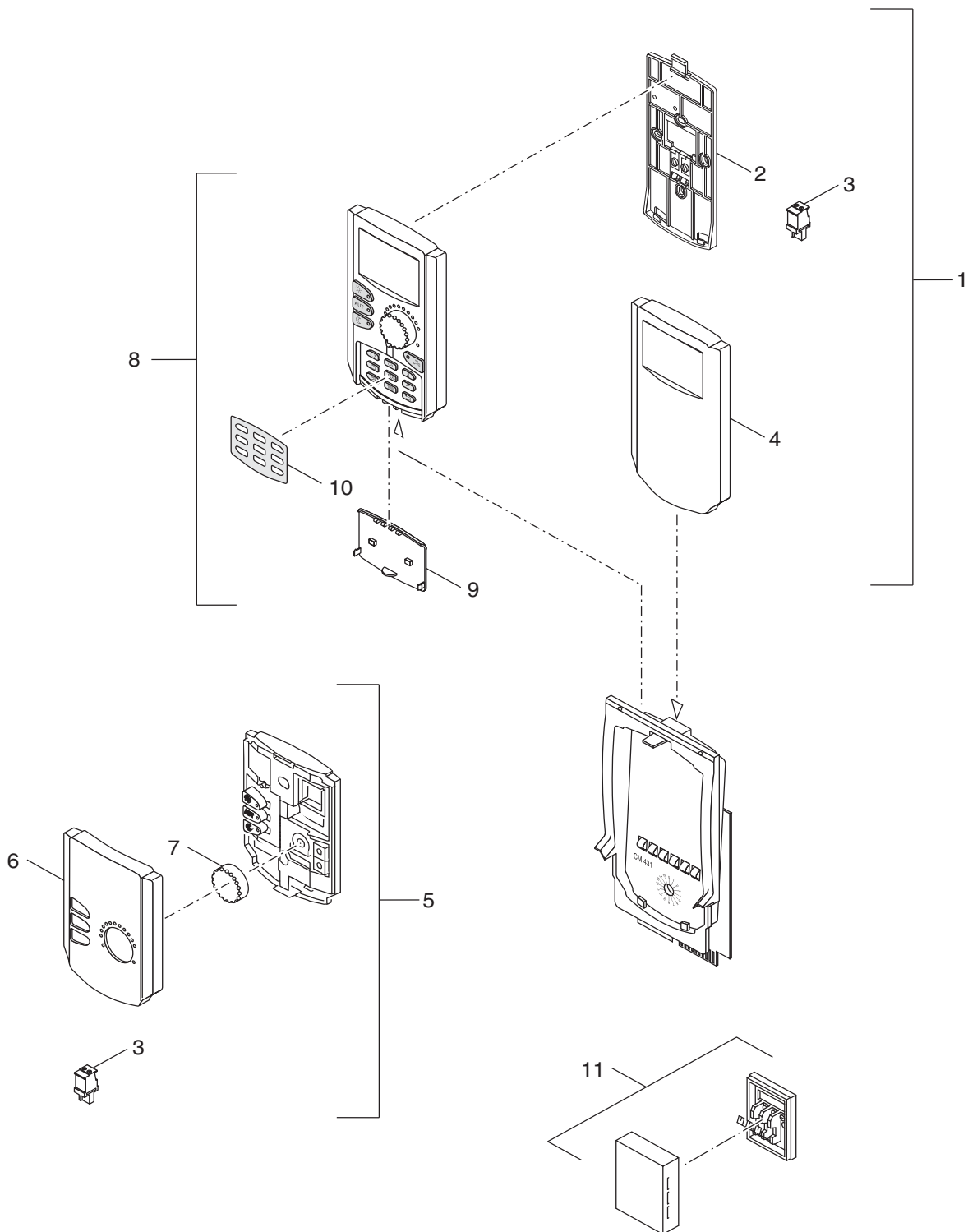
**R4311 / R4312**

**7**





Ersatzteilliste  
Spare parts list



6720906015.aa.RS-Fernbedienung/Raummontageset R4xxx

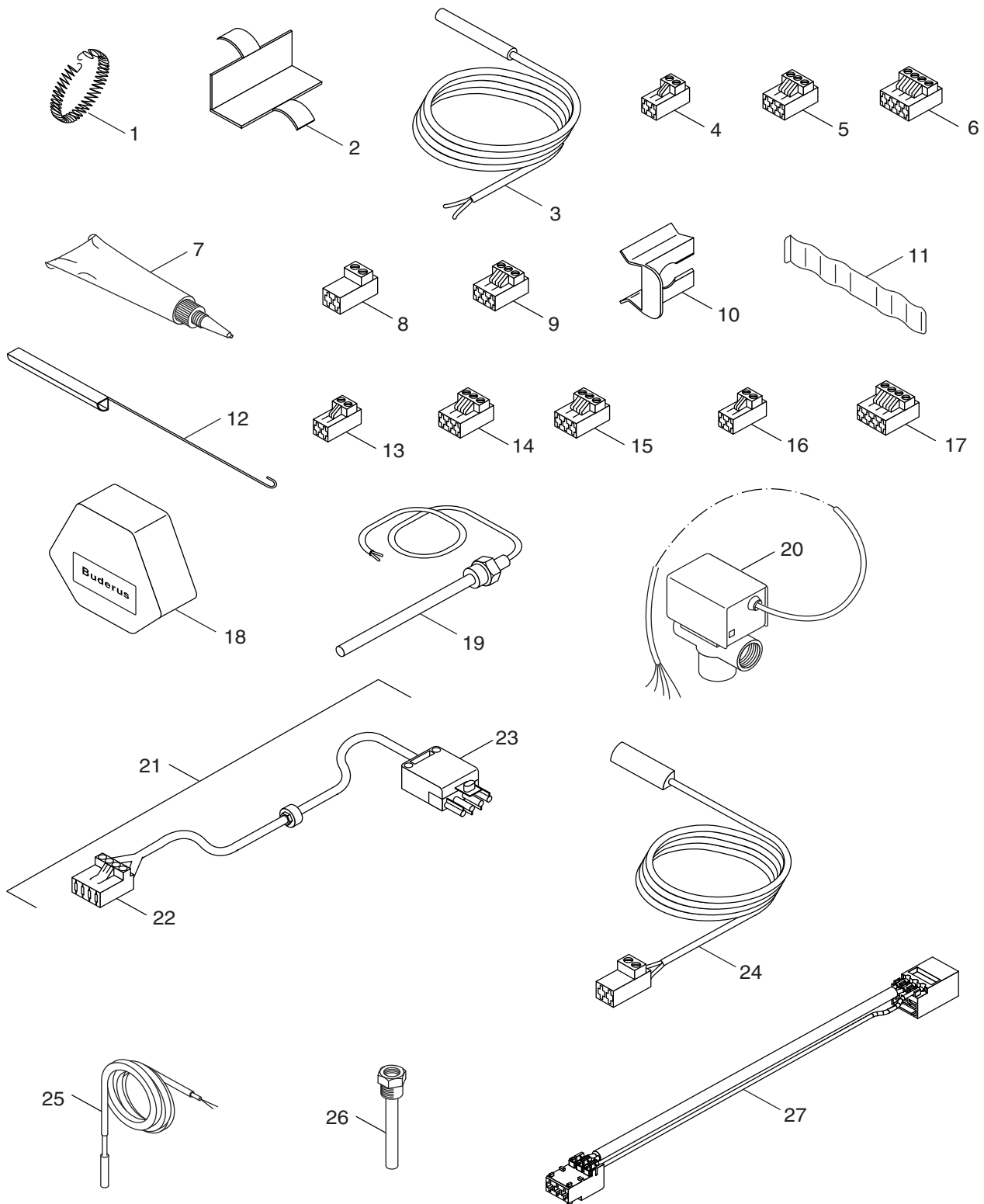
Fernbedienung  
remote control

R4311 / R4312

8



**Ersatzteilliste**  
**Spare parts list**



6720906016.aa.RS-Zubehör R4xxx

Zubehör  
accessories

**R4311 / R4312**

**9**



## Übersetzungsliste List of translations

Pos	Description
<b>1</b>	<b>Element of construction</b>
1	R4321 S33
<b>2</b>	<b>Element of construction</b>
2	Housing transparent cover R43xx
3	Hinge pin
4	Casing upper housing R43xx
5	Housing devicecover R43xx RAL5015
6	Housing low sect R43xx BM492 V4
7	Front plate blind blue 4"
<b>3</b>	<b>Element of construction</b>
1	Contol Box ZM 434
2	Conector 2-polig ochre brown
3	Connector 2pol. FG red
4	Connector 2pol. FZ red
5	Connector 2-pole FK light green
6	Connector 2-pole FA blue
7	Connector 2-pole BF nut brown
8	Modul CM431 S32 Control
9	Front plate CM431
10	Module NM482 power supply unit
11	Connector 3-polig white BUS
12	Fuse IEC 127 T0.8A 5x20 (10x)
13	Fuse IEC127-2/3T0,63A 5x20 10 pc.
14	Fuse DIN41571 M0,4A 5x20 kit (10x)
15	Connector 3-pole white
16	Front plate blind blue 4"
17	Module BM492 S05 Bus
	Battery 3.6V lithium 1/2 AA
<b>4</b>	<b>Element of construction</b>
1	Module ZM422 S08 boiler
2	Connector 3-pole pink WF
3	Connector 2pol. FG red
4	Connector 2-pole FB grey
5	Connector 2-pole FK light green
6	Connector 2-pole FA blue
7	Connector 2-pole BF nut brown
8	Module ZM424 S09 boiler
9	Connector 4-pole SH mixer brown
10	Connector 3-pole pump brown
11	Connector 4-pole SH I violet
12	Connector 2-pole FB brown
13	ZM426 HIGH LIMIT SAFETY CUT-OUT MODULE
14	Module ZM436 sup-STB 95 degree C
15	Module ZM427 boiler operating module
16	Connector 4-pol beige
17	Connector 3-pole 61/63 beige
18	Connector 3-pole white stage 2
19	Connector 2-polig white stage 1
20	Connector 2pol. FZ red
21	Module ZM428 Domestic hot water
22	Fuse DIN41571 M0,4A 5x20 kit (10x)
23	Connector 3-pole white
24	Connector 3-pole SI orange
25	Connecting terminal 2-pol black
26	Connector terminal pluggable 2-pole
27	Connector 2-pole grey FSU
28	Conector 2-pol FSM brown

## Übersetzungsliste List of translations

Pos	Description
29	Connecting terminal 3-polig ochre brown
30	Module ZM429 loading control
31	Connecting terminal pluggable 3-pole
32	Contol Box ZM 434
33	Conector 2-polig ochre brown
34	Module ZM433 S07 boiler
35	Connector 3-pole PH green
36	Connector 2-pol may green FZ
37	Connector 4-pol. U ochre brown
	Flue gas temperature sensor FG for
	Sensor exhaust 1/2f overpressure burner
<b>5</b>	<b>Element of construction</b>
1	Function module FM441 S11 hot water
2	Connector 3-pole PZ violett
3	Connector 3-pole PS grey
4	Connector 4-pole SH mixer brown
5	Connector 3-pole pump brown
6	Connector 2-pole FB grey
7	Connector 3-pole pink WF
8	Connector 2-pole BF nut brown
9	Connector 2-pole FB brown
10	Function module FM442 S11 Mixer
11	Module FM443 S08 Solar
12	Connector 4-pole SH I violet
13	Connector 2-polig may green FR
14	connector 2-polig brown FP
15	connector 3-polig FV/FR brown
16	Connector 2-polig nut brown ZV
17	Connector 2-pol grey FSS2
18	Connector 2-pole FSS grey
19	Connector 2-pole FSK yellow
20	Module FM445 S11 LAP
21	Connector 3- pole red
22	Connector 3-pole PH green
23	Connector 2-pole FWS green
24	Connector 2-pole grey FSU
25	Conector 2-pol FSM brown
26	Connector 2-pole red FBS
27	Connector 2-pole white U
28	Function module FM446 S06 EIB interface
<b>6</b>	<b>Element of construction</b>
1	Module FM458 S08 Strategie
2	Connector 3- pole red
3	Connector 2-pole FB brown
4	connector 2-pole yellow FR
5	Connector 2-polig grey ZW
6	Connector 2-polig tomato red EL
7	Connector 4-pol. U ochre brown
8	Function module FM448 S06 Central fault
9	Connector 2-pol GFS tomato red
10	PCB FM455 S03 KSE1/EMS
11	module FM456 S07 KSE2/EMS verp
12	Connector 3-pole pump brown
13	Connector 2-pol white
14	Connector 2-pole white U
15	Connector 2-pole FK light green
16	Connector 2-pole FA blue

**Übersetzungsliste**  
**List of translations**

Pos	Description
17	module FM457 S07 KSE4/EMS verp
<b>7</b>	<b>Element of construction</b>
1	Connector 3-pole white
2	Connector 3-pole SI orange
3	Connector 7-pole BR I green
4	Connector 5-pole blue+bridge SG
5	Connector 5-pol. SG blue
6	Connector 6-pole UE white with bridge
7	Connector 3-pol. UE I yellow
8	Connector 3-polig blue UE II
9	Connector 4-pole SH mixer brown
10	Connector 3-pole pump brown
11	Connector 4-pole white BR II
12	STB 89.13/ /TK,100,3000
13	Control thermostat 0-90°C 3000mm
14	Operating button 50-80 Aut 90Grad
15	Capacitor suppr 0u01F +-20% X1 275VAC
16	Conversion set fuse 10A R43xx
18	Fuse 6,3x32 UL67006 T10 kit (10x)
19	Rocker switch manual operation
20	Switch Typ 09
<b>8</b>	<b>Element of construction</b>
1	Remote_control MEC2 S32 "DE, AT"
2	Wall mounting bracket for MEC2
3	Connector 2-pole BF nut brown
4	Burnerdisplay ZM435
5	Remote control BFU/F for separate
6	Upper part BFU
7	Dial BFU
8	Remote_control MEC2 S32 "DE, AT"
9	Protective hood MEC
10	Film labelling MEC
11	Separator Room temperature sensor for
	Remote control MEC2 S28 Exp10 (MWE) verp
	Remote control MEC2 S28 Exp11 (MEE) verp
	Remote control MEC2 S28 Exp12 (SEE)
	Remote control MEC2 S28 Exp13 (EEU) verp
	Remote control MEC2 S28 Exp14 (NAM) verp
	Remote control MEC2 S28 Exp15 (NES)
	Remote control MEC2 S28 Exp16 (SEU) verp
<b>9</b>	<b>Element of construction</b>
1	Tensioning spring temperature sensor
2	Holdig plate temperature sensor
3	Temperature sensor RD9,7 3100mm 10k
4	Connector 2-pole FB brown
5	Connector 3-pole pump brown
6	Connector 4-pole SH mixer brown
7	Heat conducting paste
8	Connector 2-pol may green FZ
9	Connector 3-pole PH green
10	Sensor holder
11	Compensating spring
12	Spacer for 1/4 sensor
13	Connector 2-pole FB grey
14	Connector 3-pole PS grey
16	Connector 2-pol grey FSS2
17	Connector 4-pole SH I violet









Bosch Thermotechnik GmbH  
Sophienstraße 30-32  
D-35576 Wetzlar  
[www.buderus.de](http://www.buderus.de)

**Buderus**